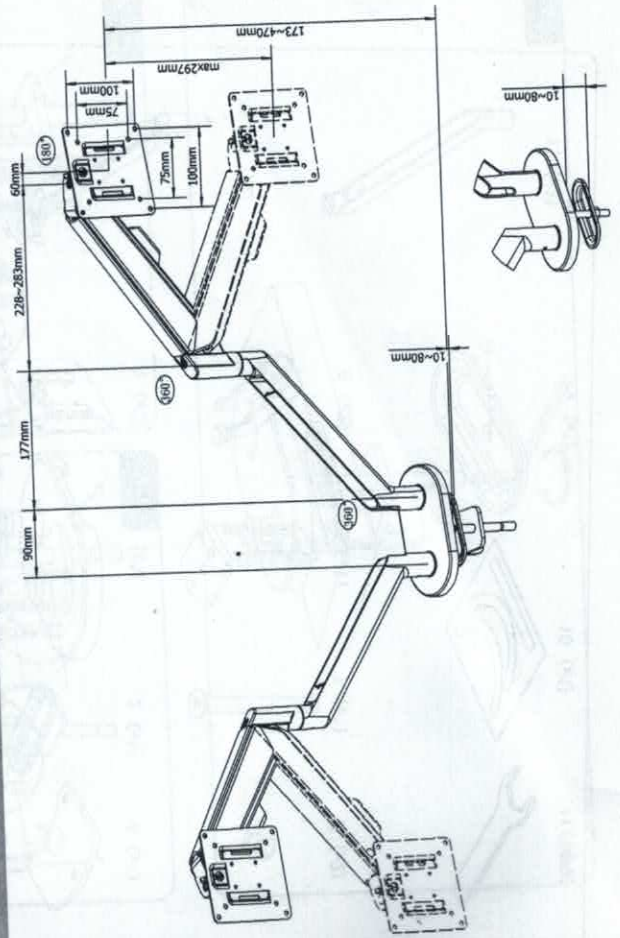


CAUTION:

⚠ Use with products heavier than the rated weights indicated may result in instability causing possible injury.

- Mounts must be attached as specified in assembly instructions. Improper installation may result in damage or serious personal injury.
- Safety gear and proper tools must be used. This product should only be installed by professionals.
- Make sure that the supporting surface will safely support the combined weight of the equipment and all attached hardware and components.
- Use the mounting screws provided and DO NOT OVER TIGHTEN mounting screws.
- This product contains small items that could be a choking hazard if swallowed. Keep these items away from children.
- This product is intended for indoor use only. Using this product outdoors could lead to product failure and personal injury.

PRODUCT LINE GRAPH



Parts

Hardware

- A M6x9 (x3)
- B M6x10 (x2)
- C M5x10 (x8)
- D M4x10 (x8)

Tools required

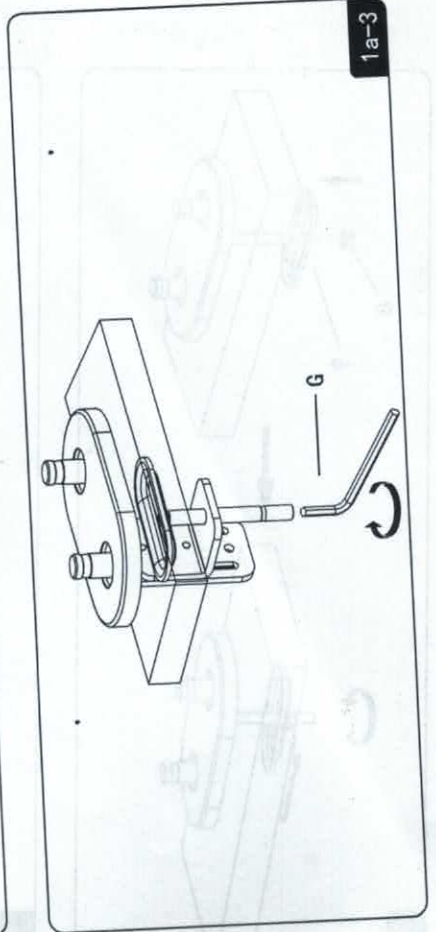
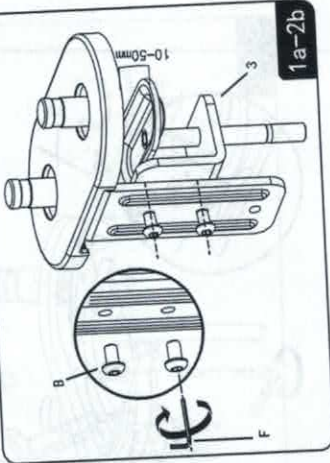
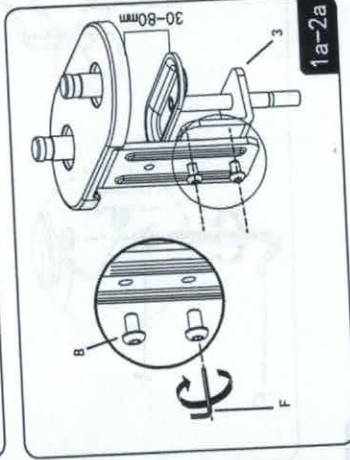
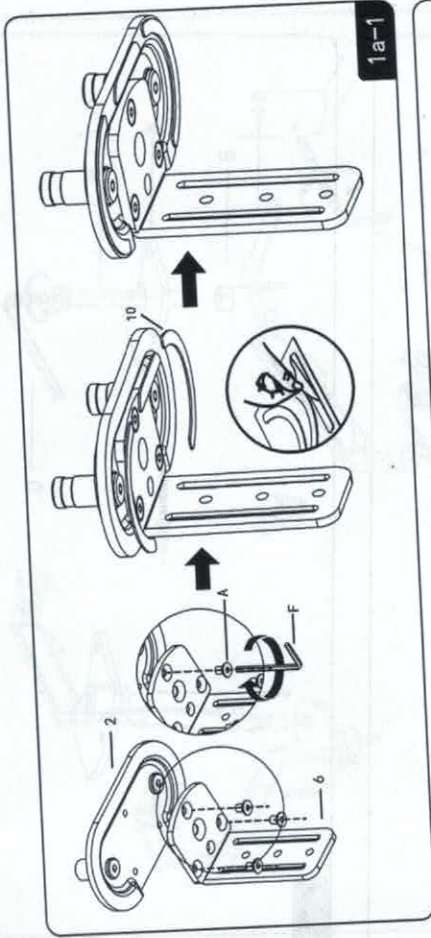
- E 3mm (x1)
- F 4mm (x1)
- G 5mm (x1)

Components

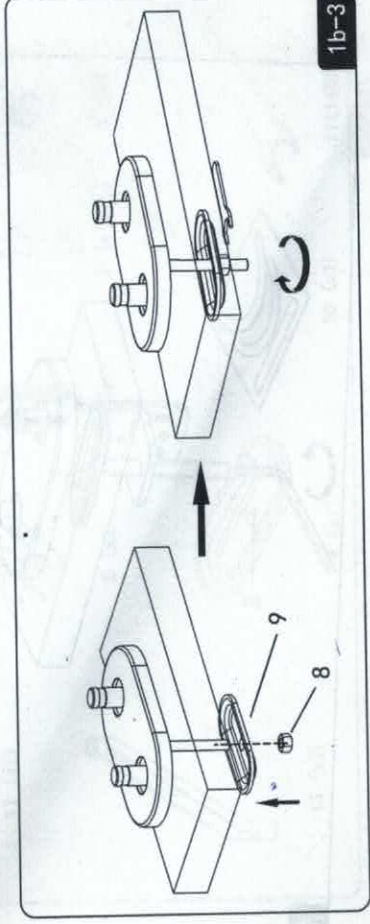
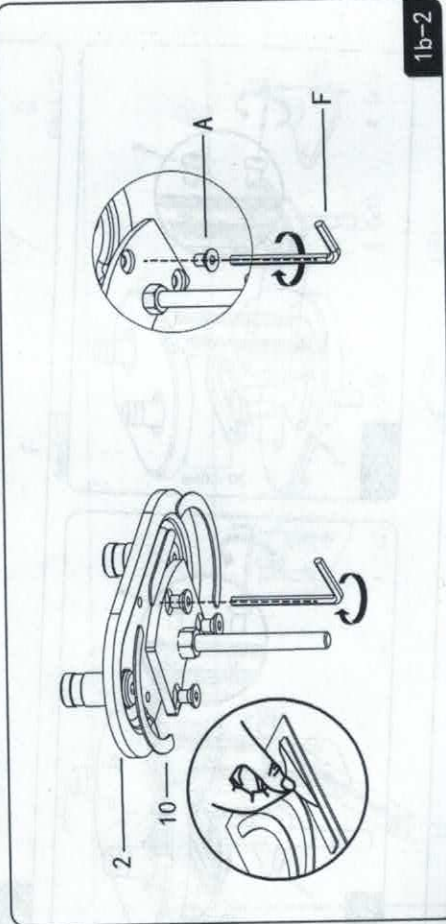
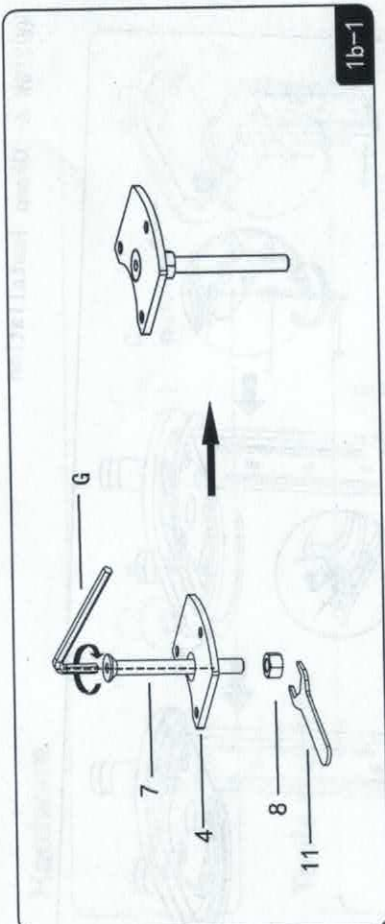
- 1 (x2)
- 2 (x1)
- 3 (x1)
- 4 (x1)
- 5 (x2)
- 6 (x1)
- 7 (x1)
- 8 (x2)
- 9 (x1)
- 10 (x1)
- 11 (14MM)
- 12 (x2)
- 13 (x2)

STEP 1 Choose a mounting option

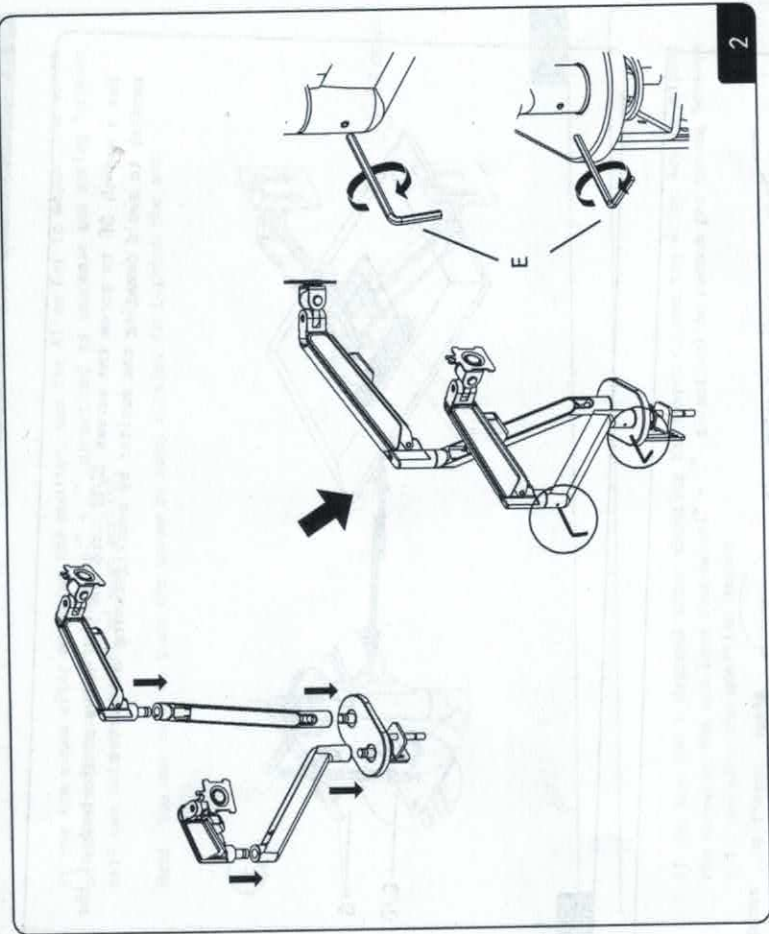
OPTION A: Clamp Installation



OPTION B: Existing Grommet Hole Installation



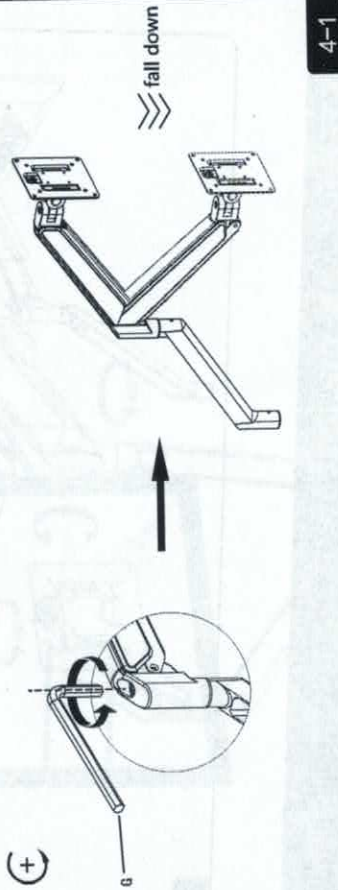
STEP 2 Install the arms



STEP 4 Tension adjustment

If the arm sinks after mounting the monitor, use the Allen Key to adjust the screw on the arm. Turn counter-clockwise ("+" direction) to increase gas spring tension till can hold the weight of your monitor.

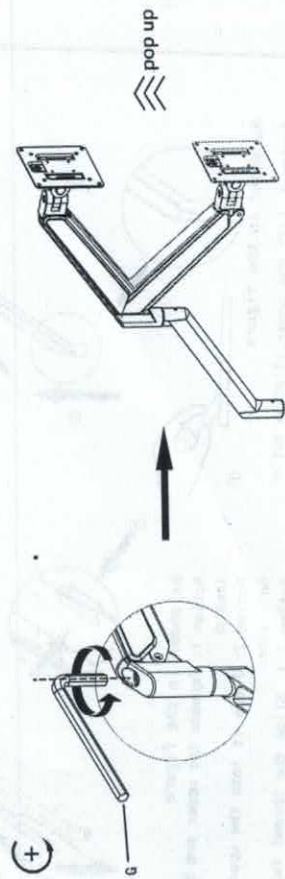
Note: You may need to turn the screw by many circles to tighten the arm.



4-1

If the arm can't descend after mounting the monitor, use the Allen Key to adjust the screw on the arm. Turn clockwise ("-" direction) to reduce gas spring tension till can stay the position needed.

Note: You may need to turn the screw by many circles to tighten the arm.



4-2

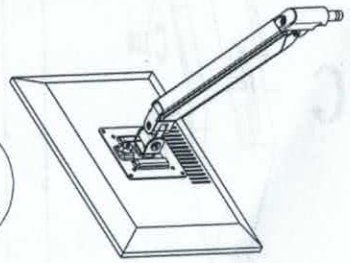
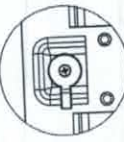
STEP 3 Connect with monitor

Use a wrench (H) to screw the screws (C/D) into the four holes at the back of the monitor to avoid damaging the monitor by overtightening the screws.

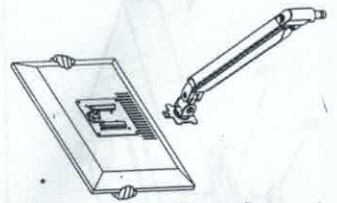
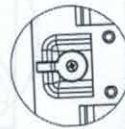


3-1

After insertion, rotate the knob 90 degrees to the left.

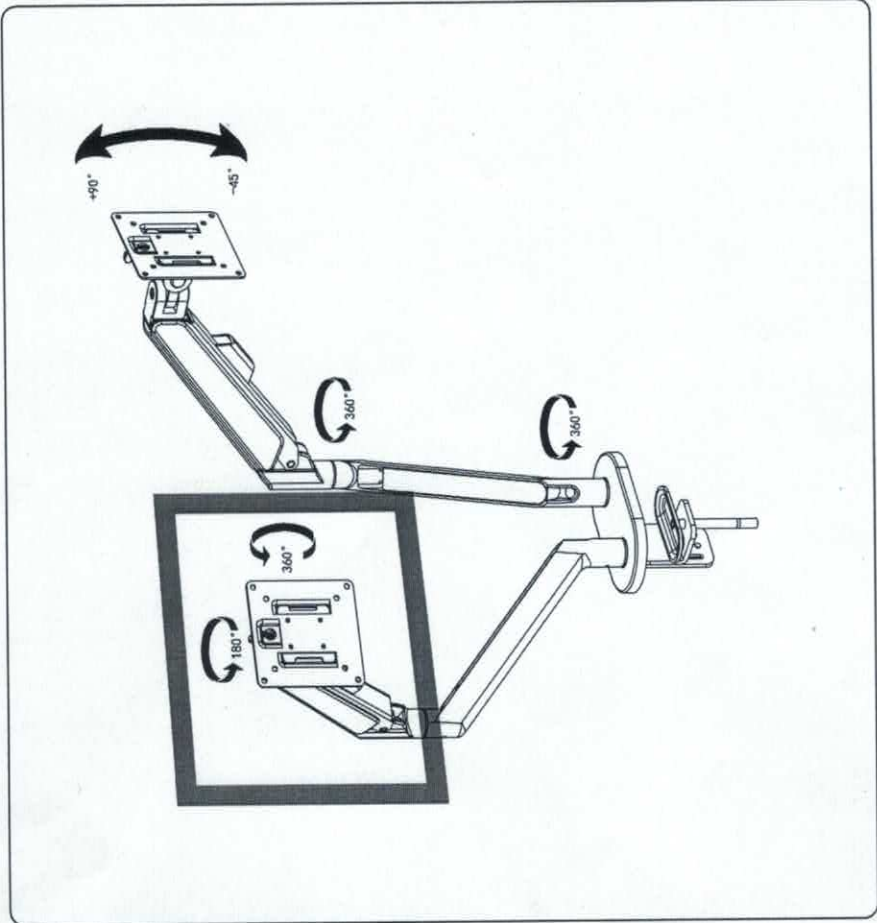


When the display is inserted into the quick release head, make sure the knob is vertical.

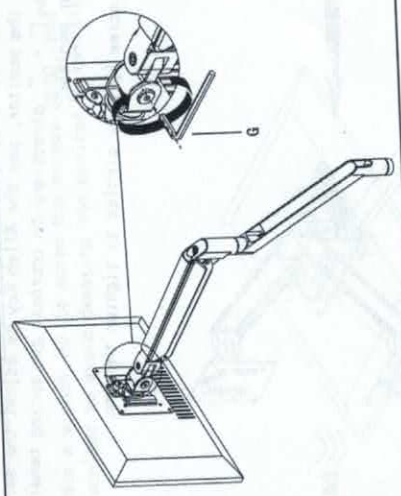


3-2

Adjustable instruction



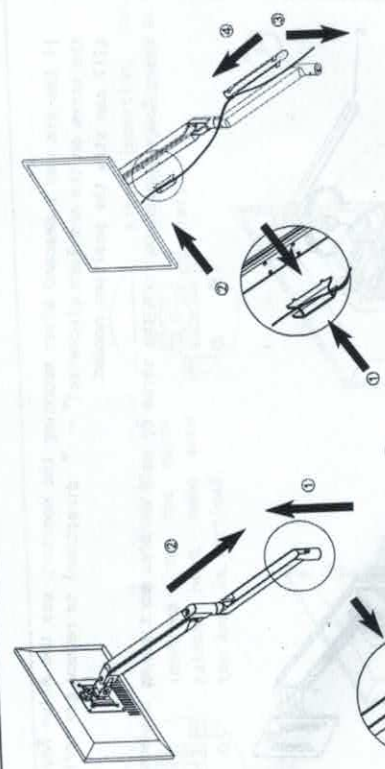
STEP 5 Leaning adjustment



If you feel the pitching angle too tight or too loose when adjusting the mount, please adjust the Screw.

- (+) Turn clockwise to tighten
- (-) Turn counterclockwise to loose

STEP 6 Cable management



As shown in the figure
 Action 1: Squeeze the upper arm buckle inward.
 Action 2: Place it into the upper arm hole site.
 Action 3-4: Slide the thread fastener into the lower arm and place it in the limit.
 Ensure the upper end face of the lower arm is flush.

As shown in the figure
 Action 1: Lift the cover slightly out of the limit.
 Action 2: Slide the cock cover out of the lower arm.